

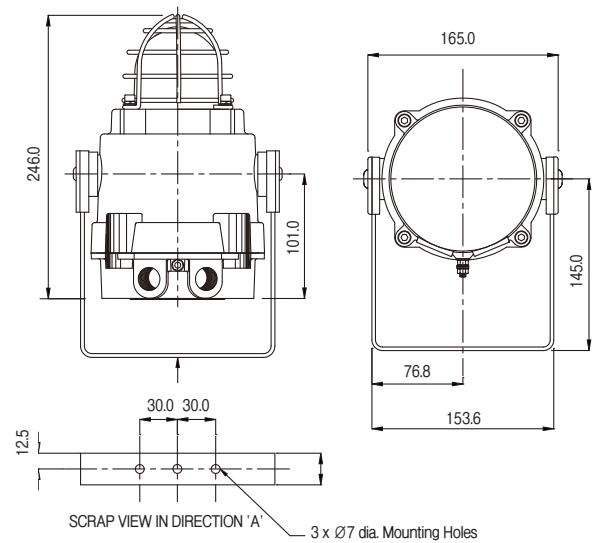
# Flame Proof Type Xenon Beacon 15 Joule

## BExBG15

### Feature

- ▷ Automatic synchronization on multi-beacon system.
- ▷ Beacons can be set to flip-flop alternating mode with other units on multi-beacon systems.
- ▷ Xenon tubes mechanically secured against shock & vibration
- ▷ Glass lens & Stainless Steel guard
- ▷ Very large termination area.
- ▷ Ratchet adjustable stainless steel U bracket.
- ▷ IN & OUT terminals (Ex de version only)

### Dimension (Unit:mm)



<Ex d type>



Combination



## Specification

FLAME PROOF TYPE XENON BEACON 15 JOULE	
Energy	15 Joules (15Ws)
Flash rate	1Hz (60 fpm)
Peak candela	1,500,000 cd – calculated from energy (J)
Effective intensity cd	750 cd – calculated from energy (J)
Peak candela	94,748 cd* – measured ref. to I.E.S.
Effective intensity cd	444 cd* – measured ref. to I.E.S.
Lens colors	Amber, Blue, Clear, Green, Red & Yellow
Voltages DC	12VDC; 24VDC; 48VDC
Voltages AC	115VAC; 230VAC
Ingress protection	BG15D : IP66/67, BG15E : IP66
Housing material	Marine grade copper free LM6 Aluminum
Housing finish	Phosphated & powder coated finish : anti-corrosion
Color	RAL3000 Red (others available on request)
Cable entries	Dual M20 ISO (one stopping plug inc)
Terminals	0.5 to 4.0mm <sup>2</sup> cables.
Line monitoring	Min. 500 Ohm 2w, or 3k3 Ohm 0.5w res. or diode within Exd enclosure (dc versions).
Tube life	Emissions are reduced to 70% after 8 million flashes
Weight	DC: 2.45kg / AC: 2.75kg
*All candela data is representative of performance with clear lens at optimum voltage.	

## Part codes

PART CODE	CLASSIFICATION
BExBG15D**	<p><b>ATEX / IECEx</b>                      II 2G Ex d IIC T4 Ta. -50°C to +70°C                      II 2G Ex d IIC T5 Ta. -50°C to +40°C                      II 2D Ex tD A21 IP67 T125°C based on max. Ta. 70°C</p> <p><b>GOST-R</b>                      1ExdIICT4 Ta. -50°C to +55°C                      DIP A21 Ta T4</p> <p><b>ATEX / IECEx</b>                      II 2G Ex de IIC T4 Ta. -50°C to +70°C                      II 2G Ex de IIC T5 Ta. -50°C to +40°C                      II 2D Ex tD A21 IP66 T125°C based on max. Ta. 70°C</p>
BExBG15E**	<p><b>GOST-R</b>                      2ExdeIICT4 Ta. -50°C to +55°C                      DIP A21 Ta T4</p>
** = Voltage & lens Color reference:	
Voltage options	24DC, 48DC, 115AC, 230AC
Lens Color options	AM (Amber), BL (Blue), CL (Clear), GN (Green), RD (Red), YW (Yellow)
e.g: BExBG15D115AC-AM	

## Current consumption

Version	Voltage	(Current)
24V dc	20-28V dc	(860mA)
48V dc	42-54V dc	(480mA)
115V ac 50Hz/60Hz	±10%	(360mA)
230V ac 50Hz/60Hz	±10%	(170mA)

## Effective Candela lens Color factor

Amber	Blue	Clear	Green	Red	Yellow
0.51	0.12	1.00	0.49	0.15	0.86