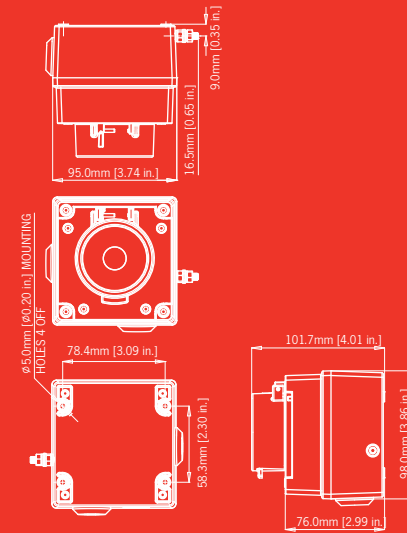


BExCP3A/B-PB Push Button Call Point

The BExCP3A-PB and BExCP3B-PB push button manual call points are approved for Zone 1, 2, 21 and 22 hazardous areas for the control of fire and gas alarm systems. Available with and without monitoring resistors all versions are certified to ATEX and IECEx standards.

The push button mechanism is protected by a spring loaded cover therefore the switch requires a two-action activation. The product is user resettable by rotating the push button.

The BEx range features enclosures manufactured from corrosion proof, marine grade, copper free LM6 (A413) aluminium which is phosphated and powder coated.



Part Codes:

Type:	BExCP3A-PB BExCP3B-PB
Terminals:	ST: Standard DR: DIN Rail
Lift Flap:	NF: No flap (default) LF: Lift flap
Duty Label:	NL: No Label (default) DL: Duty Label Specify content when ordering
Colour:	RD: Red Contact sales for other colour options
Nominal Voltage:	48V / 24V / 12V / 6V System Voltage only required on BExCP3B version
EOL Resistor:	ExxxR: xxx Res. value e.g.: E470R Only available on BExCP3B version
Series Resistor:	SxxxR: xxx Res. value e.g.: S2K2R Only available on BExCP3B version

e.g. BExCP3A-PB-ST-NL-RD
: BEx-CP3A Push Button call point with standard terminals and no duty label. Red housing

e.g. BExCP3B-PB-DR-NL-RD-24V-E470R
: BEx-CP3B Push Button call point with DIN rail terminals, no duty label, 24V supply voltage with a 470 Ohm end of line resistor. Red housing.

Versions:

BExCP3A-PB		
Category:	II 2G Ex e d IIC T6 Gb II 2D Ex t IIIC T60°C Db IP66 Ta = -40°C to +55°C	
Voltage:	250V ac Max. 50V dc Max.	
Switch rating:	5.0A Max. 1.0A Max.	
Monitoring Resistors:	No	
Terminals:	6 x 4mm ²	
Cable entries:	2 x M20 Top/Bottom 1 x M20 Left/Right	
Weight:	0.8Kg	
BExCP3B-PB		
Category:	II 2G Ex e d mb IIC T4 Gb II 2D Ex t IIIC T70°C Db IP66 Ta = -40°C to +50°C	
Voltage:	56V dc Max. Rating: <50V: 1.0A >50V: 0.75A	
Switch rating:	5.0A Max. 1.0A Max.	
Monitoring Resistors:	No	
Terminals:	6 x 4mm ² or 8 x 2.5mm ² DIN rail	
Cable entries:	2 x M20 Top/Bottom 1 x M20 Left/Right	
Weight:	0.8Kg	
Nominal Voltage:	Max Voltage:	Min. E.O.L. Series Value:
48V	56V	1K8
24V	28V	470R
12V	15V	120R
6V	9V	47R

Specification:

BExCP3A-PB:	II 2G Ex e d IIC T6 Gb II 2D Ex t IIIC T60°C Db IP66
BExCP3B-PB:	II 2G Ex e d mb IIC T4 Gb II 2D Ex t IIIC T70°C Db IP66
Ambient:	Ta = -40°C to +55°C (+50°C for BExCP3B)
Ingress protection:	IP66
Housing material:	Marine grade copper free LM6 Aluminium
Housing finish:	Phosphated & powder coated finish: anti-corrosion.
Colour:	RAL3000 Red (others available on request)
Cable entries:	2 x M20 clearance top and 1 x M20 clearance side. Back box can be rotated to give 2 x bottom and 1 x side entries.
Stopping plugs:	2 x Ex e nylon plugs as standard Brass and stainless steel plugs optional
Terminals:	6 x 4.0mm ² cables.

Options:

- Alternative housing colours are available to meet specific requirements.
- DIN rail mounted terminal blocks: 8 x 2.5mm²
- Metalised Polyester "Duty" label.
- Series and/or End of Line resistors.

Approvals:

- ATEX certificate: Sira 09ATEX3286X, IEC 60079-0:2007 Ed 5, EN 60079-1:2004, EN 60079-7:2007, IEC 60079-18:2009 Ed 3, EN 61241-1:2004
- IECEx certificate: IECEx SIR 09.0121X, IEC 60079-0:2007-10 Edition: 5, IEC 60079-1:2003 Edition: 5, IEC 60079-18:2009 Edition: 3, IEC 60079-7:2006-07 Edition: 4, IEC 61241-1:2004 Edition: 1
- Inmetro certificate: 10-IEEx-0011X
- GOST-R certificate: POCC GB.JB05.B03365