

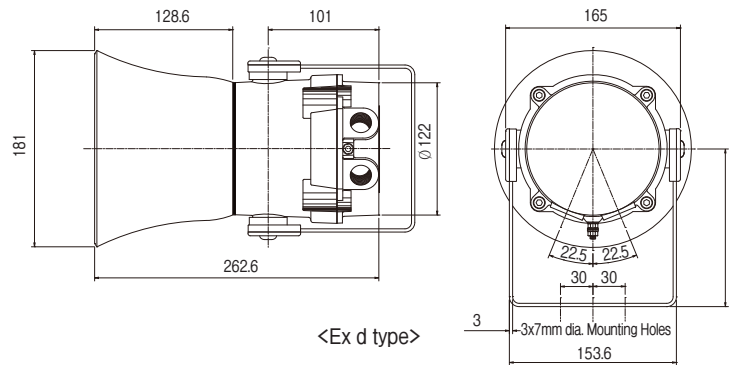
Flame Proof Type Sounder – Effective range 200M

BExS120 / BExDS120

Dimension (Unit:mm)

Feature

- ▷ Automatic synchronization on multi-sounder system.
- ▷ Very large termination area.
- ▷ Ratchet adjustable stainless steel U bracket.
- ▷ IN & OUT terminals (Ex de version only).
- ▷ Programmable version available:
 - 45 alarm tones
 - 4 remotely selectable stages
 - Any tone can be assigned to Any stage
 - User configurable continuous frequency tone



Combination

BExDS110

Specification

FLAME PROOF TYPE SOUNDER – EFFECTIVE RANGE 200M	
Maximum output	121dB(A) @ 1 meter
Nominal output	117dB(A) @ 1m +/- 3dB - Tone 2
No. of tones	32 (UKOOA / PFEER compliant)
No. of stages	3
Volume control	Max. 117dB(A) / Min. 108dB(A) - Tone 2
Effective range	200m @ 1KHz
Voltages DC	12VDC; 24VDC; 48VDC
Voltages AC	115VAC; 230VAC
Stage switching	Negative or positive
Ingress protection	S120D : IP66/67, S120E : IP66
Housing material	Marine grade copper free LM6 Aluminum
Housing finish	Phosphated & powder coated finish : anti-corrosion
Color	RAL3000 Red(others available on request)
BExS120 flare	High impact UL94 V0 & 5VA FR ABS (Red)
BExDS120 flare	Anti-Static High impact ABS (Black)
Cable entries	Dual M20 ISO(one stopping plug inc)
Terminals	0.5 to 4.0mm ² cables.
Line monitoring	Min. 500 Ohm 2w, or 3k3 Ohm 0.5w res. or diode within Exd enclosure (dc versions).
Weight	DC: 3.20kg / AC: 3.40kg

*SPL data +/-3dB(A). Measured at optimum voltage

Part codes

PART CODE	CLASSIFICATION
BExS120D**	<p>ATEX / IECEx II 2G Ex d IIB T4 Ta. -50°C to +70°C II 2G Ex d IIC T4 Ta. -50°C to +55°C</p> <p>GOST-R 1ExdIICT4 Ta. -50°C to +55°C</p>
BExS120E**	<p>ATEX / IECEx II 2G Ex de IIB T4 Ta. -50°C to +70°C II 2G Ex de IIC T4 Ta. -50°C to +55°C</p> <p>GOST-R 2ExdeIICT4 Ta. -50°C to +55°C</p>
BExDS120D**	<p>ATEX / IECEx II 2G Ex d IIB T4 Ta. -50°C to +70°C II 2G Ex d IIC T4 Ta. -50°C to +55°C II 2D Ex tD A21 IP67 T115 based on a max. Ta. of 70°C</p> <p>GOST-R 1ExdIICT4 Ta. -50°C to +55°C T100°C DIP A21 TaT4</p>
BExS120E**	<p>ATEX / IECEx II 2G Ex de IIB T4 Ta. -50°C to +70°C II 2G Ex de IIC T4 Ta. -50°C to +55°C II 2D Ex tD A21 IP66 T115 based on a max. Ta. of 70°C</p> <p>GOST-R 2ExdeIICT4 Ta. -50°C to +55°C T100°C DIP A21 TaT4</p>
** = Voltage & lens Color reference:	
Voltage options	12DC, 24DC, 48DC, 115AC, 230AC
Add '-P'	to part number for Programmable version
Add '-M'	to part number for MED approved version (24V dc only)

Current consumption

Version	Voltage (Current)
12V dc	±25% (850mA)
24V dc	±25% (800mA)
48V dc	±25% (420mA)
115V ac 50Hz/60Hz	±10% (180mA)
230V ac 50Hz/60Hz	±10% (90mA)