

Flame Proof Type Sampling VOC Gas Detector

GTD-5000F VOC

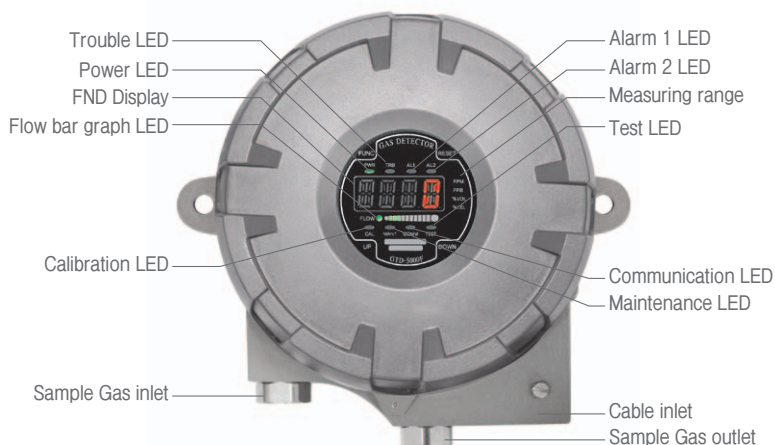
Feature

- ▷ Continuous detection of VOC gas in explosion hazardous area with flame proof structure
- ▷ Self diagnosis function with built-in Microprocessor
- ▷ Easy replacement with a cartridge type sensor
- ▷ Digital flow sensor to maintain regular flow rate
- ▷ Fast response of gas leakage with a high efficient pump inside
- ▷ Low concentration VOC gas detection by PID sensor
- ▷ Stable quality and proved detection principle for service life
- ▷ Auto calibration and program setting with a magnet bar
- ▷ 4-digit digital gas concentration display
- ▷ 4-20mA DC output signal
- ▷ Easy configuration of monitoring by RS-485 Modbus isolated serial data communication(Optional)
- ▷ 3-wire connection for signal & power
- ▷ 2-stage alarm, 1-trouble display and relay contact output
- ▷ Calibration and maintenance by one-man

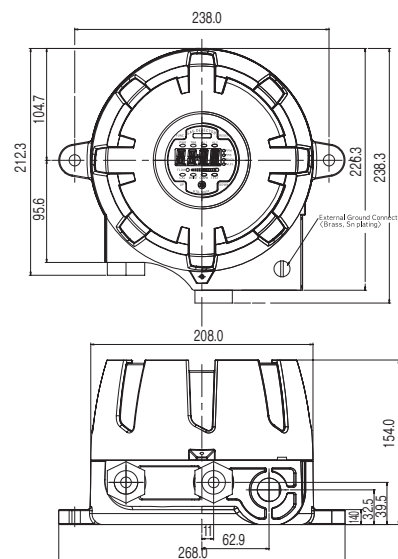


Flame Proof
Auto Flow Control

General



Dimension (Unit:mm)



Accessories



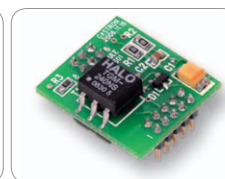
Cable gland



Male connector



Micro Filter



RS-485 module

Specification

※Specifications are subject to be changed without prior notice.

FLAME PROOF TYPE SAMPLING VOC GAS DETECTOR	
Model	GTD-5000F VOC
Measuring gas	VOC gas(Benzene, Toluene, Xylene & etc)
Measuring type	Auto Sampling type
Measuring method	Photo-Ionization Detector(PID)
Measuring range	5ppb ~ 300ppm
Response time	< 5sec / 90% scale
Accuracy	±3% / Full Scale
Parameter control	Non intrusive control with a Magnet bar (calibration, maintenance, alarm setting)
Operation mode display	Alarm / Trouble LED, Flow rate
Measuring value display	FND Display(4-Digit)
Alarm signal output	250V 1A / 3-SPST relay contact (2-stage alarm, 1-trouble)
Output signal	Analog output : 4-20mA DC Digital output : RS-485 Modbus(Optional)
Sampling method	Diaphragm Pump
Sampling line	OD 1/4 "(Standard)
Flow rate	0 ~ 1000 ml/min Max
Cable/Distance	Power + Signal cable : 3-wire > 1.5sq(AWG16) 4 - 20mA DC Signal : 2500m RS-485 Modbus Signal : 1000m
Conduit connection	G. Rc. NPT 1/2" & 3/4" (G 3/4" : Standard)
Mounting type	Wall mount
Operating temperature	-20℃ ~ +60℃
Operating humidity	5 to 99% RH (Non-condensing)
Operating power	Standard : 18 ~31V DC (24V DC normal) / 150mA max
Material	ALDC
Dimensions	226.3(W) × 154(H) × 238(D) mm
Weight	5kg
Approval	Explosion proof type (Ex d IIC T6, IP65) KCs